

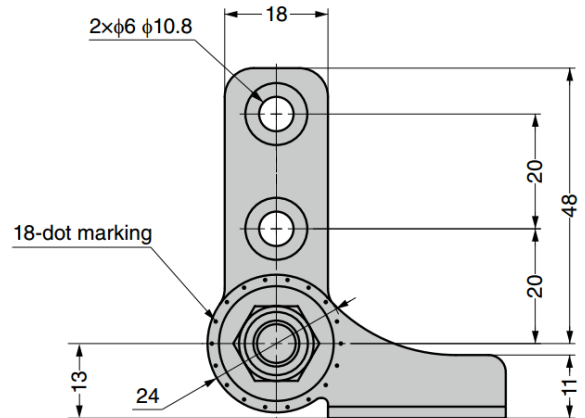
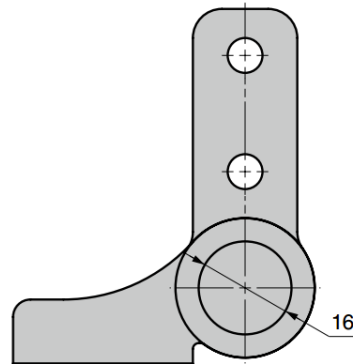
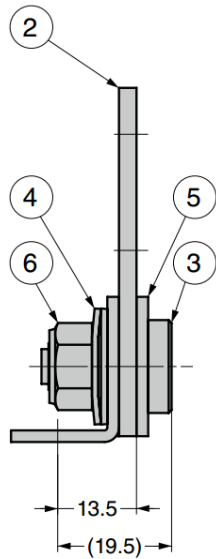
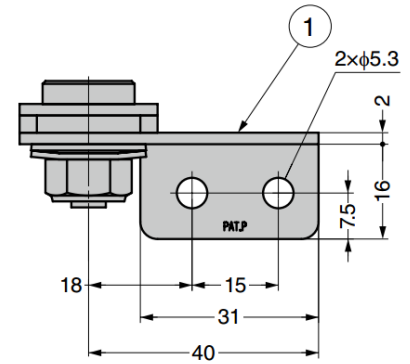
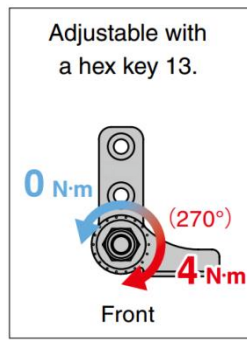
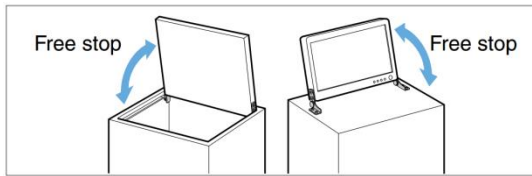
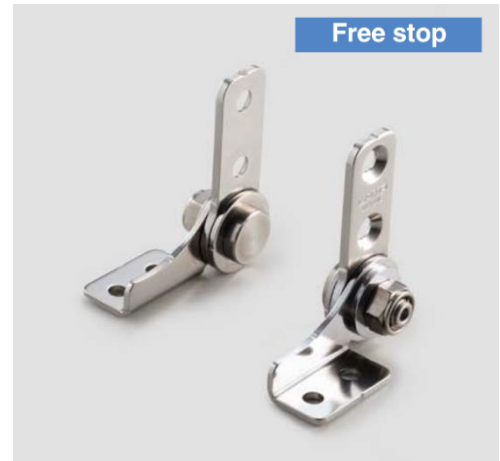
## GHG-TBSJ40 All Stainless Steel Adjustable Torque Hinge

### Features

- Hinge with friction torque holds lid / door in desired position
- All stainless steel construction suitable for corrosive environments
- Torque adjustable from 0 ~ 4.0 N.m
- Suitable applications include equipment machinery, display screens, etc.

### Notes

- Operating temperature: 0°C ~ 40°C
- Ensure that both hinge shafts are levelled and aligned during installation
- Use a spanner (nominal size 13) for torque adjustment
- Do not forcibly remove the torque adjustment nut
- Factory default setting of torque is 4.0 N.m



No.	Part Name	Material	Finish
①	Body	Stainless Steel (SUS304)	Barrel Polished
②	Base		
③	Shaft	Stainless Steel (SUS303)	-
④	Spring Washer	Stainless Steel (SUS304)	Barrel Polished
⑤	Plate		
⑥	Lock Nut	Stainless Steel	-

Part No.	Type	Opening Angle	Torque (per piece)	
GHG-TBSJ40R	Right	360°	0 ~ 4.0 N.m	0 ~ 40.8 kgf.cm
GHG-TBSJ40L	Left			